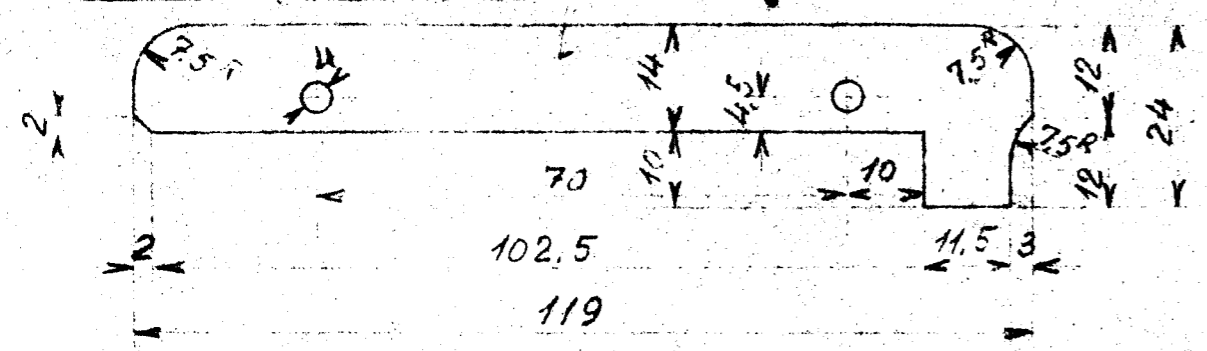


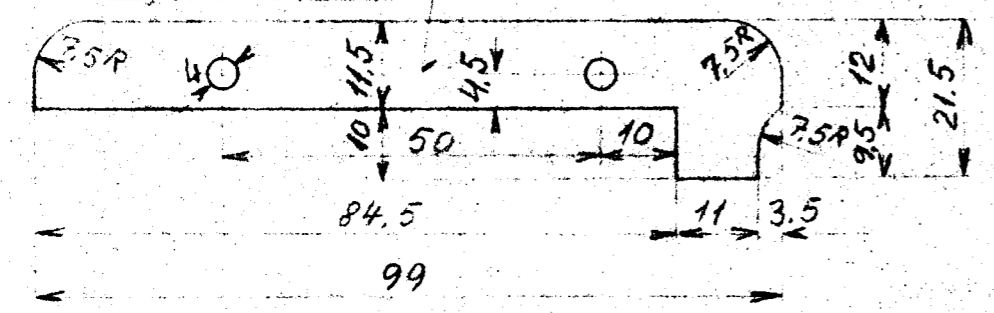
1 2 3

Drivstang Q_{II} 9L-20.121



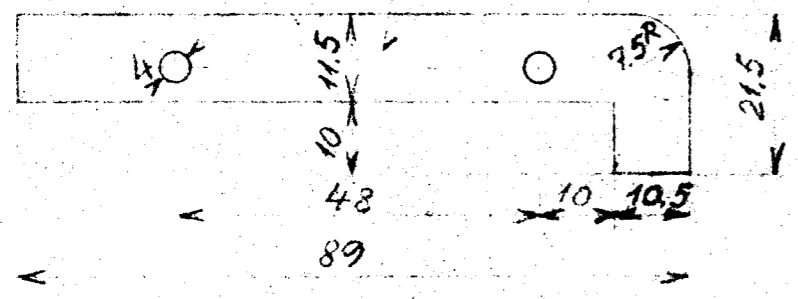
4 5 6

Kobbelstang Q_{II} 9L-20.222



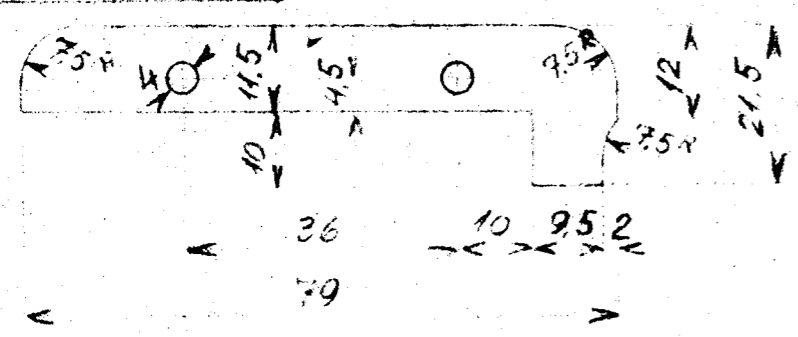
7 8 9

Kobbelstang Q_{II} 9L-20.222



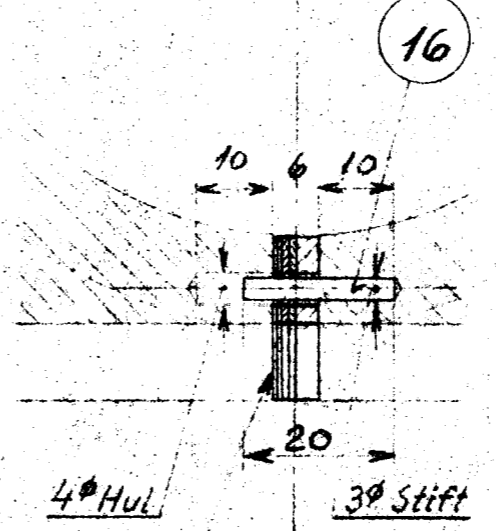
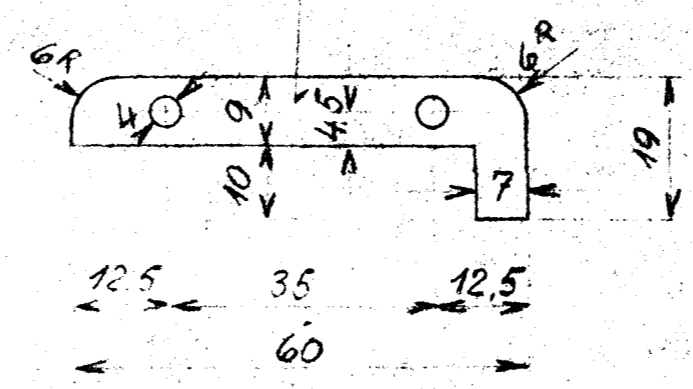
10 11 12

Kobbelstang Q_{II} 9L-20.222



13 14 15

Kvadrantstang Q_{II} 9L-20.121



- 1 stk Lejne 3mm tyk
- 2 " " 1 " "
- 2 " " 0.5 " "

STYKTAI	GENSTAND		
4	Lejne 119x24x3	1	Mes-sling 140x75x3
8	do. --- x 1	2	--- " x 150 x 1
8	do. --- x 0.5	3	--- " x 1 x 0.5
4	do. 99x21.5x3	4	--- 120x65x3
8	do. --- x 1	5	--- " x 130 x 1
8	do. --- x 0.5	6	--- " x " x 0.5
4	do. 89x21.5x3	7	--- 140x65x3
8	do. --- x 1	8	--- " x 130 x 1
8	do. --- x 0.5	9	--- " x " x 0.5
8	do. 79x21.5x3	10	--- 95x130x3
16	do. --- x 1	11	--- " x 260 x 1
16	do. --- x 0.5	12	--- " x " x 0.5
4	do. 60x19x3	13	--- 75x55x3
8	do. --- x 1	14	--- " x 140 x 1
8	do. --- x 0.5	15	--- " x " x 0.5
48	stift 3φx20	16	Fod-stænd 3φx1200

TEKNISSKEMMER

q. Raamateriale paafer. 20/12/0. 0. 0. 0.

Tegn. A/s Frichs
Nr. 9L-20.124a

4:1
Indr.
Dato

Mellemlæg til Driv- og Kobbelstangslejer
D-Tenderloka. Litra Q.

Q_{II} 20.124

INDR. 4